



Information about the product

| | |
|---|-------------------|
| Dimensions | 528 x 423 cm |
| Safety zone | 878 x 723 cm |
| Safety zone area | 42 m ² |
| Overall height | 482 cm |
| Free fall height | 184 cm |
| Amount of users | 16 |
| The biggest element | 561 cm |
| The heaviest element | 63 kg |
| Product complies with EN 1176-1:2017-12 | Yes |
| Availability of spare parts | Yes |
| Age range | 3-12 |

According to EN 1176-1:2017-12 norm, the product requires applying a safety surface according to the product's free fall height.

Functions



Climbing



Balancing



Socializing



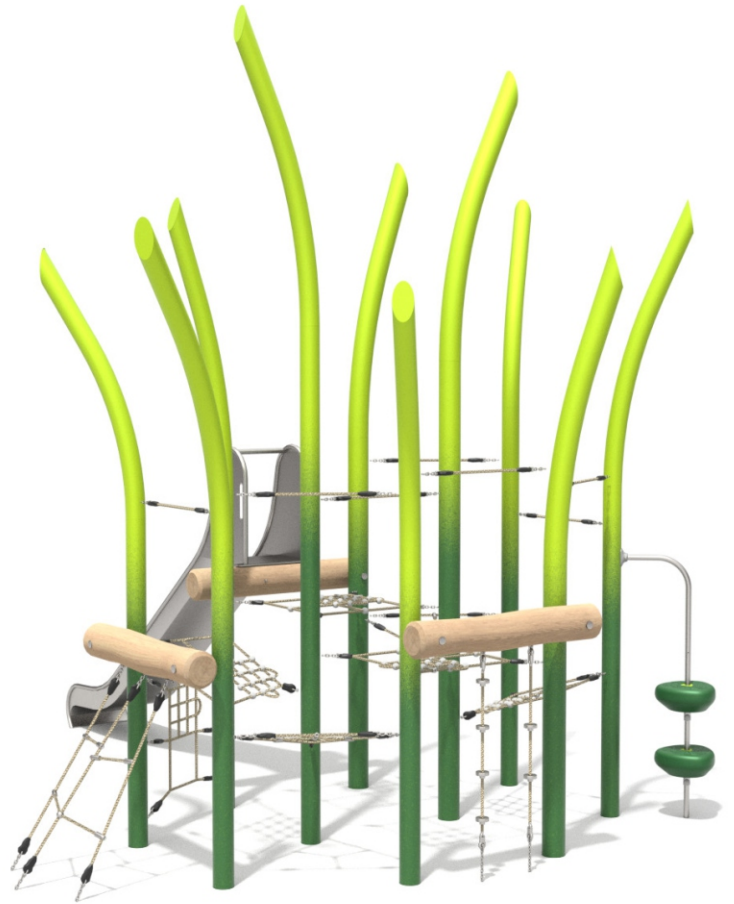
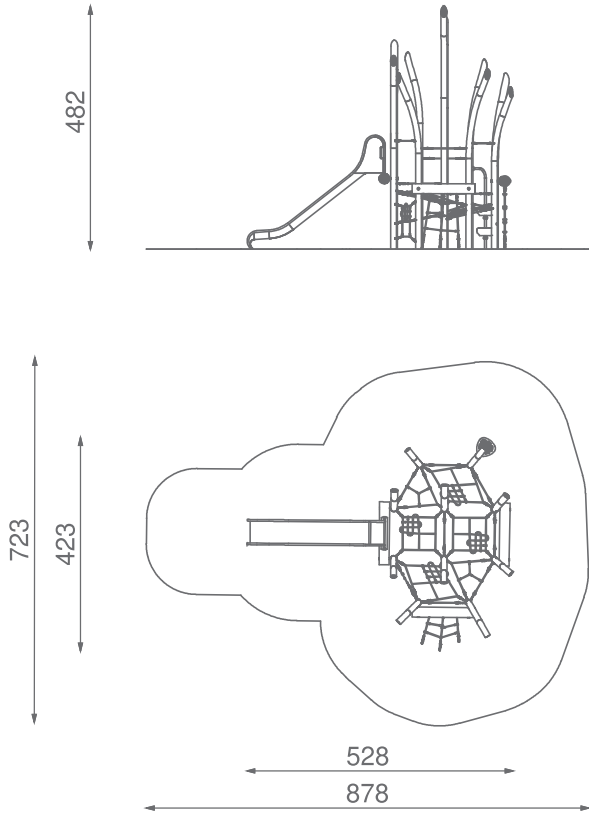
Sliding



COLOR
WAVE MASTER

A painting technique that allows combining two colors, which smoothly blend into each other. It enables achieving a natural colour fusion effect.





1:150

Materials



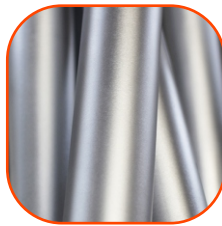
Natural robinia wood



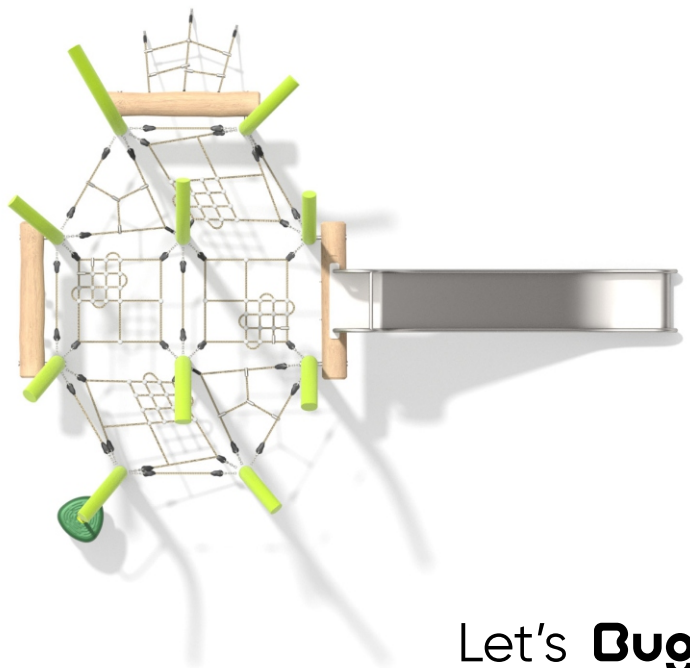
Steel construction: pipes, powder galvanized and covered in powder coating paint



Polypropylene ropes pp - multisplit type with a steel core and a diameter of 16 mm



Elements construction made of stainless steel AISI 304



Let's **Buglo**

